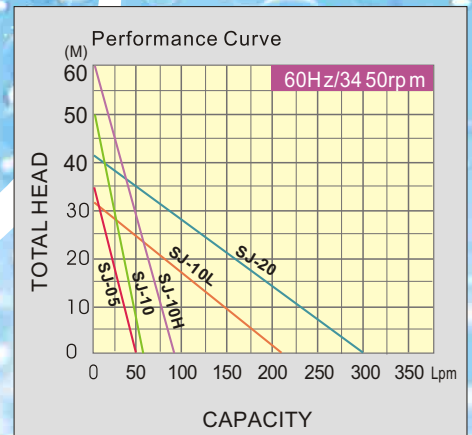


SJ SERIES

Stainless Steel Jet Pump



Performance Curve

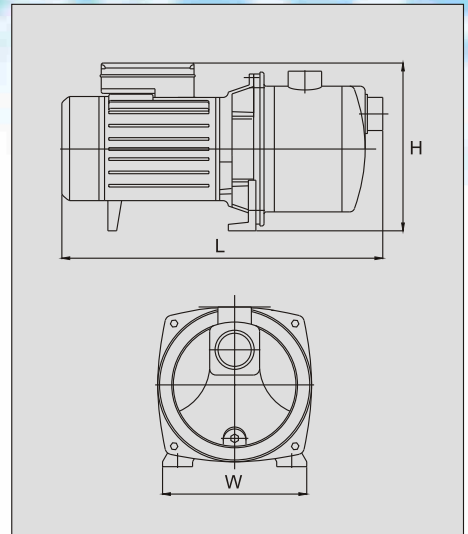


Plastic Impeller

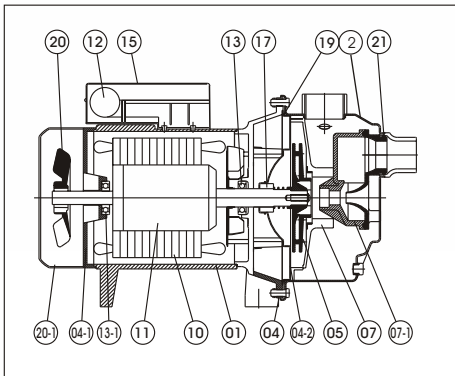
Feature:

- Aluminum motor housing.
- Light weight and superior heat dissipation.
- Back pull out construction.
- Assure easy maintenance and inspection.

Dimensions



Constructions



No.	Description	Material
01	Motor casing	Aluminum
02	Pump casing	SUS 304
04	Bearing upper cover	FC-20/Aluminum
04-1	Bearing lower cover	BC-6
04-2	Plate	SUS 304
05	Impeller	PC+Fiber
07	Diffuser	PC+Fiber
07-1	Suction	Nozzle
10	Stator	
11	Rotor & shaft	SUS 410
12	Capacitor	
13-1	Bearing	
13-2	Bearing	
15	Terminal box	ABS
17	Mechanical seal	CE/CA
19	O-Ring	NBR
20	Motor coolingfan	NYLON 66
20-1	Fan cover	Steel

Specifications

TYPE	POWER		DISCHARGE		VOLTAGE	MAXIMUM		DIMENSION			WEIGHT
	HP	KW	INCH	mm		60Hz	Head(M)	Q(LPM)	H(mm)	L(mm)	
SJ-05	1/2	0.4	1"	25	1PH/110V-240V 3PH/220V-440V	35	50	200	340	180	8
SJ-10	1	0.75	1"	25		50	60	210	400	190	10
SJ-10H	1	0.75	1-1/4"	32		60	80	220	470	240	24
SJ-10L	1	0.75	1-1/2"	40		32	220	230	40	250	26
SJ-20	2	1.5	1-1/2"	40		42	300	230	40	250	30