

 www.apecpump.com
APEC PUMP
APEC PUMP ENTERPRISE CORP.
3F, No. 394, Sec. 2, Mingzhi Rd., Taishan Shiang,
Taipei County 245, Taiwan (R.O.C.)
Tel: 886-2-2906-4567
Fax: 886-2-2906-4567
E-mail: sales@apecpump.com

 **APEC PUMP**
APEC PUMP ENTERPRISE CORP.

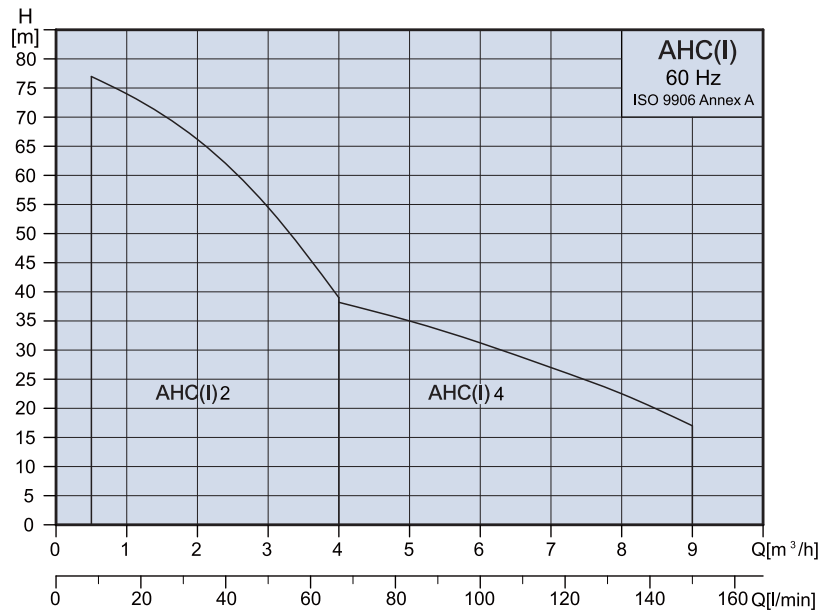
60HZ

AHC, AHI 2,4 Series
BHI, BHS 2,4 Series



Horizontal Multistage Centrifugal Pumps

Performance range,60Hz



Applications

- *Domestic
- *Liquid transfer and circulation of liquids within light industry and farming
- *Pressure boosting
- *Air-conditioning systems
- *Cooling systems or cooling machine
- *Specialized OEM equipment

Pump

The AHC and AHI series are non-self priming, horizontal multistage centrifugal pumps. Pump is coupled with motor at the same shaft and mounted on a base-plate. The friendly design makes the pump suitable for installation in the small domestic or industrial water supply systems. The pump is fitted with a mechanical seal and through-going pump-motor shaft.

AHC: The discharge and suction chamber are made of cast iron. The other parts of pump in contact with the liquid are made of stainless steel.

AHI: All parts of pump in contact with the liquid are made of stainless steel.

EPDM or Viton O-rings are available as standard.

Pipe connections:

Connections	AHC,AHI 2	AHC,AHI 4
Suction port	Rp 1	Rp 1 1/4
Discharge port	Rp 1	Rp 1
Drain hole, priming hole	Rc 3/8	Rc 3/8

Motor

The pump is fitted with a totally enclosed, fan-cooled, squirrel-cage motor.

Rated speed: 2850rpm(50Hz), 3450rpm(60Hz)

Enclosure class: IP 54

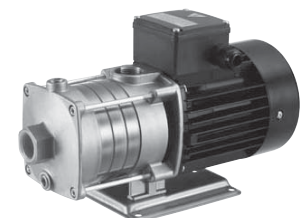
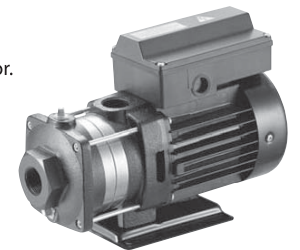
Insulation class: F

Standard voltages: 1 x 220~240 V, 50Hz

1 x 110/220 V, 60Hz

3 x 220~240Δ/380~415Y V, 50Hz

3 x 200~230Δ/346~400Y V, 60Hz



Operating conditions

Liquid: Clean liquid without solid particles.

Liquid temperature range: 0°C ~ +90°C.

Maximum ambient temperature: +50°C.

The maximum operating pressure depends on the temperature of the pumped liquid, see table:

Max. operating pressure	10 kg/cm ²	6 kg/cm ²
AHC(I)2,AHI(I)4	0°C to + 40°C	+41°C to + 90°C

Min. inlet pressure: According to the NPSH curve + a safety margin of 0.5m.

Max. inlet pressure: Limited by the max. operating pressure.

Type key

Example AHC(I) 4 - 30 - CQBE
 Pump type Nominal flow rate [m³/h] Number of stages x 10 Mechanical Seals

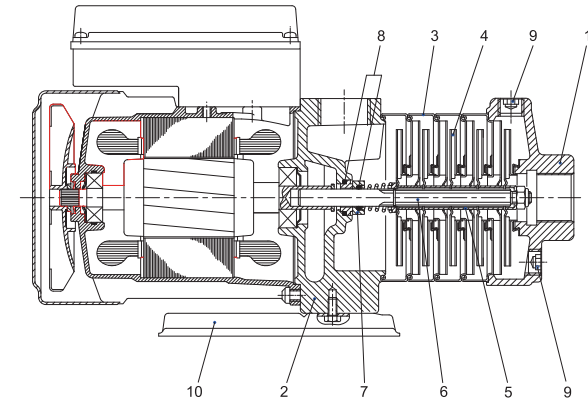
Mechanical seals

List of Materials	
Q : Silicon carbide	E : EPDM
U : Tungsten carbide	V : Viton
B : Carbon	C : Seal Type
A : Seal Type	

Mechanical Seals	AHC,AHI 2/4
CQB	●
CQQ	Optional
AUU	Optional
O-rings	
E	●
V	●

● Standard

Material construction



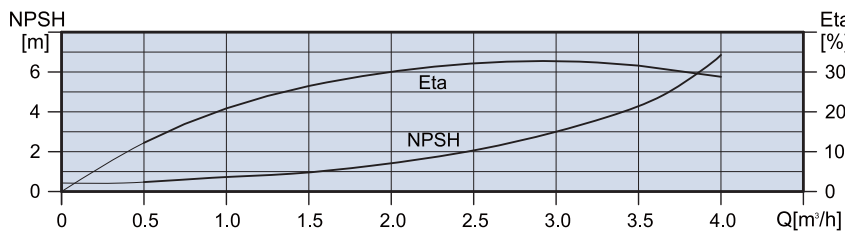
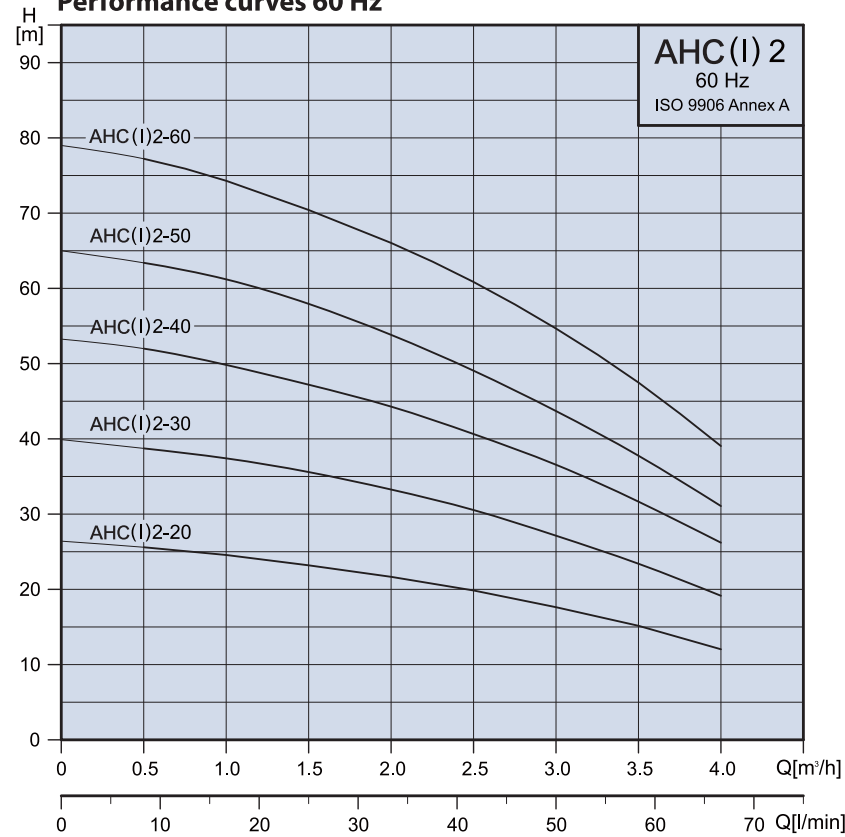
Materials

Pos.	Description	Materials	
		AHC	AHI
1	Suction chamber	Cast iron	SS304
2	Pump head	Cast iron	SS304
3	Intermediate chamber	SS304	SS304
4	Impeller	SS304	SS304
5	Spacing pipe	SS304	SS304
6	Shaft	SS431	SS431
7	Mechanical seal	Silicon carbide / Carbon	Silicon carbide / Carbon
8	O-ring	EPDM or Viton	EPDM or Viton
9	Drain and priming plug	Steel	SS304
10	Base plate	Steel	SS304

Technical data

AHC,AHI 2

Performance curves 60 Hz



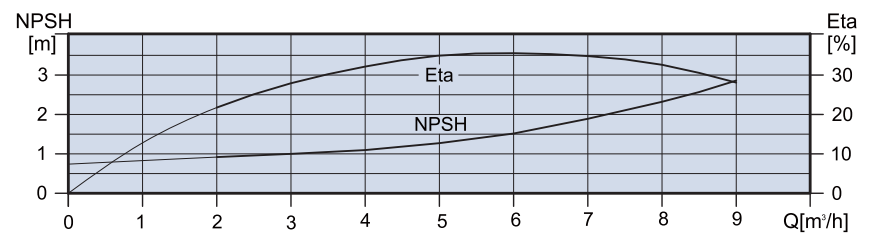
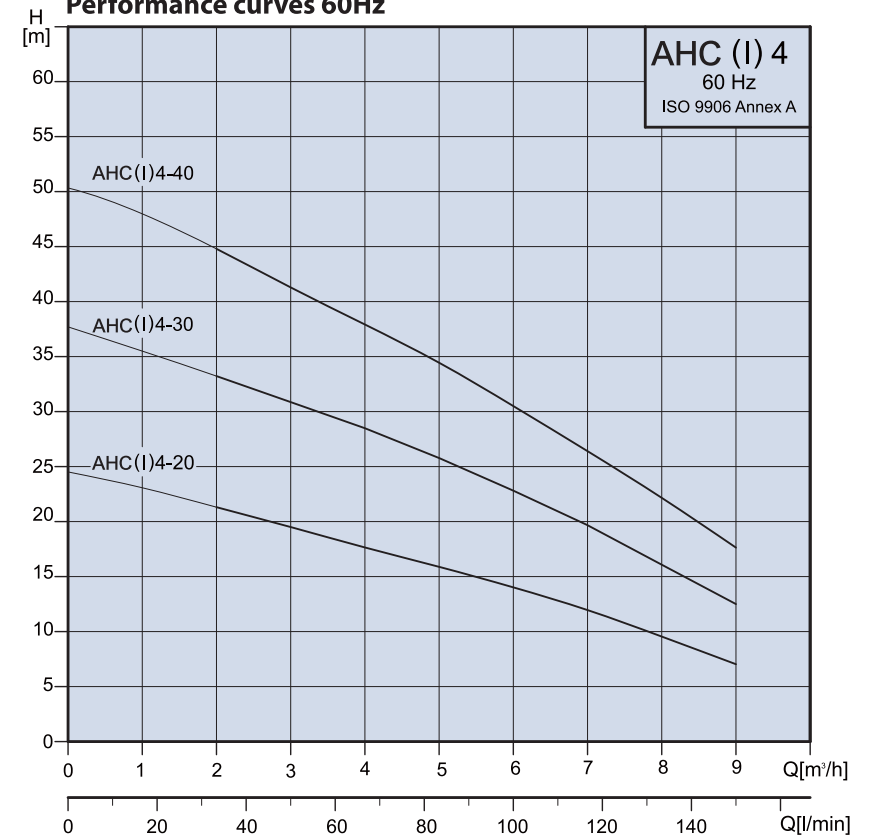
Electrical data, 3450 min⁻¹

pump type	1 x 110/220 V		3 x 200-230 Δ /346-400 Y V	
	P _i [W]	I _m [A]	P _i [W]	I _m [A]
AHC/AHI 2-20	640	6.0 / 3.0	520	2.7 / 1.6
AHC/AHI 2-30	780	7.6 / 3.8	690	3.0 / 1.8
AHC/AHI 2-40	870	8.8 / 4.4	860	3.2 / 1.9
AHC/AHI 2-50	1210	11 / 5.5	1090	3.6 / 2.1
AHC/AHI 2-60	1280	13.5 / 6.8	1240	4.1 / 2.4

Technical data

AHC,AHI 4

Performance curves 60Hz

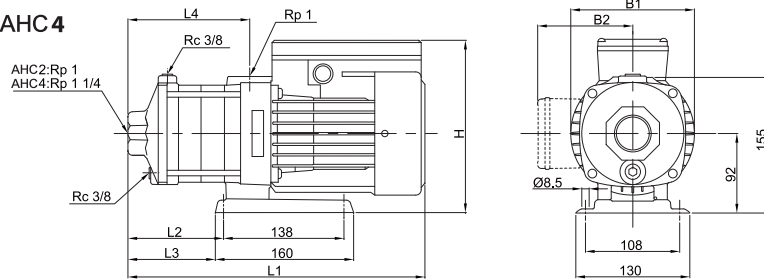


Electrical data, 3450 min⁻¹

pump type	1 x 110/220 V		3 x 200-230 Δ /346-400 Y V	
	P _i [W]	I _m [A]	P _i [W]	I _m [A]
AHC/AHI 4-20	970	8.5 / 4.2	810	3.1 / 1.8
AHC/AHI 4-30	1450	13.5 / 6.8	1250	3.9 / 2.3
AHC/AHI 4-40	1710	16 / 8	1520	4.9 / 2.8

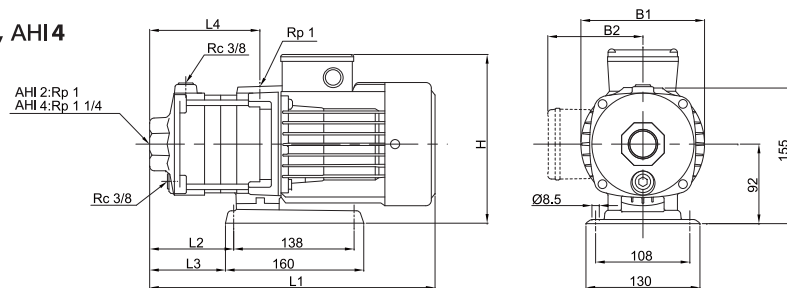
Dimensions and weights 60 Hz

AHC2,AHC4



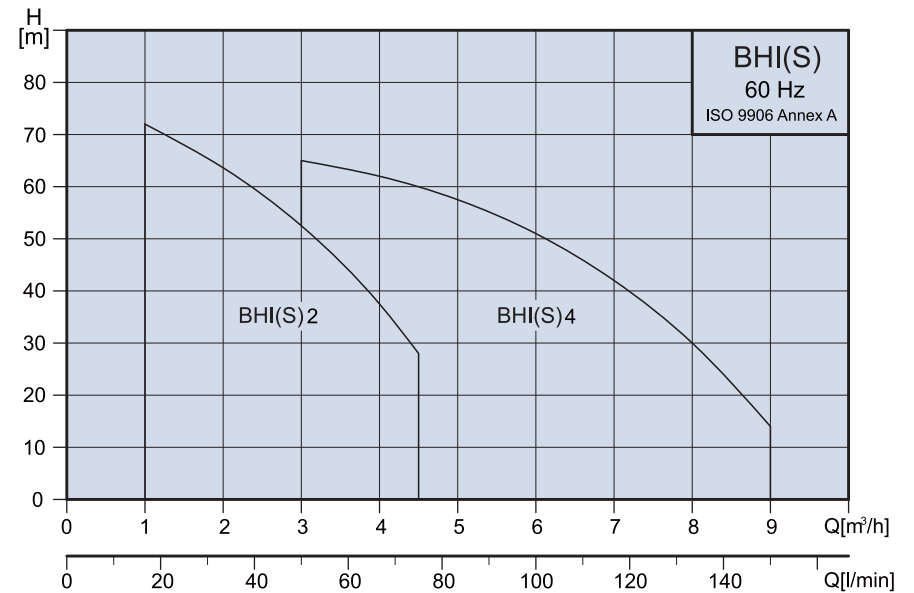
pump type	mm									Kg	
	L1	L2	L3	L4	B1	B2		H		1phase	3phase
						1phase	3phase	1phase	3phase		
AHC 2-20	309	75	63	101	141	127	112	228	206	10.3	10.0
AHC 2-30	327	93	81	119	141	127	112	228	206	11.1	10.8
AHC 2-40	345	111	99	137	141	127	112	228	206	11.3	11.1
AHC 2-50	403	129	117	155	141	127	112	228	206	13	12.4
AHC 2-60	421	147	135	173	141	127	112	228	206	13.2	12.7
AHC 4-20	318	84	72	110	141	127	112	228	206	12.2	10.7
AHC 4-30	384	111	99	137	141	127	112	228	206	12.7	12.3
AHC 4-40	412	138	126	164	141	127	112	228	206	14	13.7

AHI2,AHI4



pump type	mm									Kg	
	L1	L2	L3	L4	B1	B2		H		1phase	3phase
						1phase	3phase	1phase	3phase		
AHI 2-20	309	75	63	101	141	127	112	228	206	9.1	8.8
AHI 2-30	327	93	81	119	141	127	112	228	206	10.0	9.6
AHI 2-40	345	111	99	137	141	127	112	228	206	10.2	10.0
AHI 2-50	403	129	117	155	141	127	112	228	206	11.8	11.5
AHI 2-60	421	147	135	173	141	127	112	228	206	12.1	11.7
AHI 4-20	318	84	72	110	141	127	112	228	206	9.8	9.5
AHI 4-30	384	111	99	137	141	127	112	228	206	11.5	11.1
AHI 4-40	412	138	126	164	141	127	112	228	206	12.8	12.6

Performance range,60Hz



Applications

Water supply and pressure boosting
 Air-conditioning
 Water treatment
 Heating and cooling in industrial processes
 Industrial washing and dish-washing machines
 softened water
 Pressure boosting of process water
 Fertilizer/dosing systems



Pump

A horizontal, multistage centrifugal pump is made of stainless steel. The pump is a non-self priming type and fitted with a mechanical shaft seal.

Connection \ Pump	BHI(S) 2	BHI(S) 4
Suction port	Rp 1	Rp1 1/4
Discharge port	Rp 1	Rp1 1/4
Drain hole, priming hole	G 3/8	G 3/8

Motor

Totally enclosed and fan-cooled standard motor.

Standard voltages: 1 x 220~240 V, 50Hz

1 x 110/220 V, 60Hz

3 x 220~240 Δ/380~415Y V, 50Hz

3 x 200~230 Δ/346~400Y V, 60Hz

Insulation class: F

Enclosure class: IP54

Operating conditions

Liquid temperature range: 0°C ~+110°C

Maximum ambient temperature: +40°C

Maximum operating pressure: 10 kg./cm².

Maximum inlet pressure is limited by maximum operating pressure.

Liquids to be pumped

These pumps are designed for pumping freely flowing non-corrosive, non-explosive, and non-flammable liquids. The liquids to be pumped must also be free of solid matter, sands, fibers, and similar materials.

Most common non-highly corrosive watery liquids, oily liquids, hot and cold liquids can be pumped with these pumps.

The suitability of these pumps for pumping any particular liquid depends upon a number of factors, such as the pH value, contents of chemicals such as chlorides, oils, the temperature of the liquids, etc..

Please contact your distributor or the factory if there are any questions as to whether certain liquids are suitable for pumping with these pumps.

Type key

Example: BHI(S) 4 - 30 - RQQE
 Type Nominal flow rate (m³/h) Number of stages x 10 Mechanical Seals

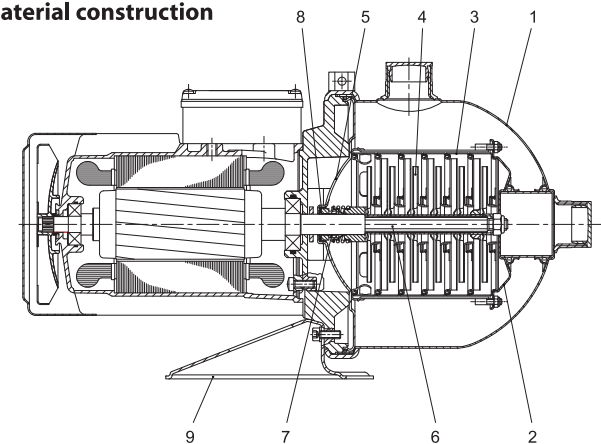
Mechanical seals

List of Materials	
Q : Silicon carbide	E : EPDM
B : Carbon	V : Viton
R : Seal Type	

Mechanical Seals	BHI 2/4	BHS 2/4
RQQ	Optional	Optional
RQB	●	●
O-rings		
E	●	●
V	●	●

● Standard

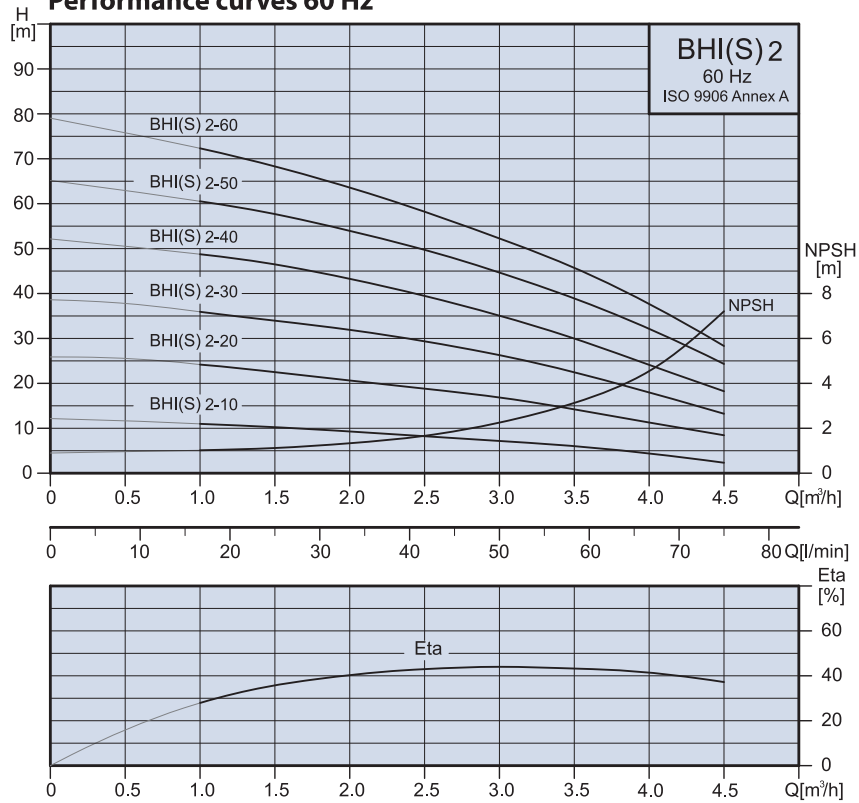
Material construction



Materials

Pos.	Description	Materials	
		BHI	BHS
1	Pump casing	SS304	SS316
2	Suction inter-connector	SS304	SS316
3	Chamber	SS304	SS316
4	Impeller	SS304	SS316
5	Cover plate	SS304	SS316
6	Shaft	SS431	SS316
7	Mechanical seal	Silicon carbide/Carbon	Silicon carbide/Carbon
8	O-ring	EPDM or Viton	EPDM or Viton
9	Base plate	Steel	Steel

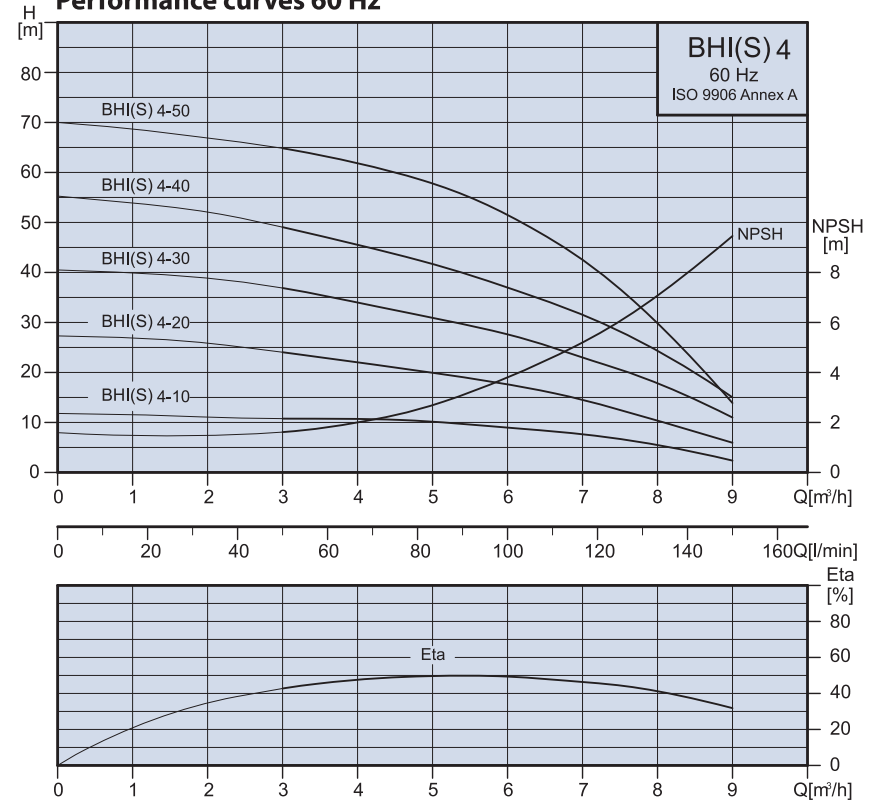
Performance curves 60 Hz



Electrical data, 3450 min⁻¹

pump type	1 x 110/220 V		3 x 200-230 / 346-400 V V	
	P _i [W]	I _n [A]	P _i [W]	I _n [A]
BHI/BHS 2-10	450	3.4 / 1.7	380	1.5 / 0.9
BHI/BHS 2-20	620	5.2 / 2.6	560	2.8 / 1.6
BHI/BHS 2-30	800	7.0 / 3.5	780	3.2 / 1.8
BHI/BHS 2-40	1020	9.4 / 4.7	1020	3.5 / 2.0
BHI/BHS 2-50	1200	11 / 5.5	1120	3.8 / 2.2
BHI/BHS 2-60	1420	13 / 6.5	1260	4.5 / 2.6

Performance curves 60 Hz

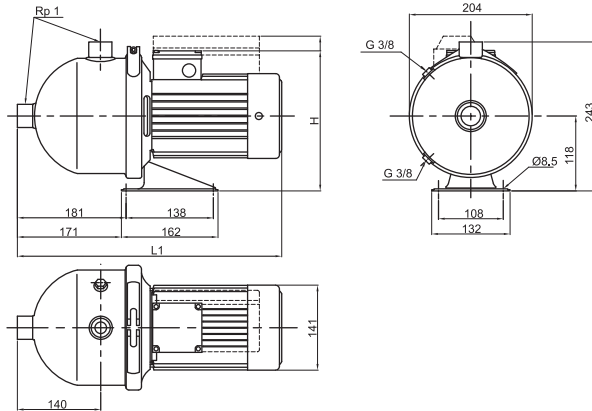


Electrical data, 3450 min⁻¹

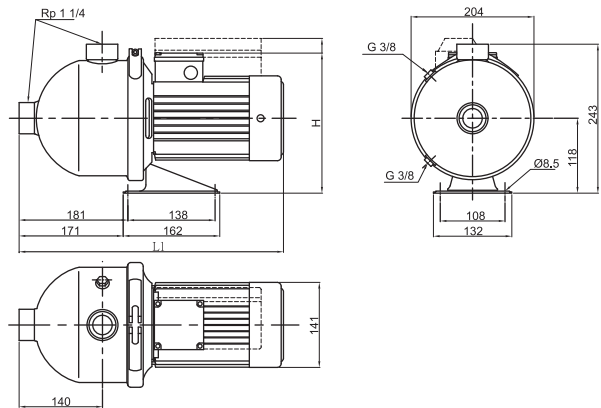
pump type	1 x 110/220 V		3 x 200-230 / 346-400 V V	
	P _i [W]	I _n [A]	P _i [W]	I _n [A]
BHI/BHS 4-10	520	5.4 / 2.7	530	2.7 / 1.6
BHI/BHS 4-20	890	9.2 / 4.6	890	3.3 / 1.9
BHI/BHS 4-30	1280	13 / 6.5	1210	4.4 / 2.5
BHI/BHS 4-40	1680	16 / 8	1620	6.0 / 3.5
BHI/BHS 4-50	2080	21 / 10.5	1830	6.8 / 3.9

Dimensions and weights 60 Hz

BHI(S) 2



BHI(S) 4



pump type	Dimension (mm)				
	1-Phase		3-Phase		Net Weight (kg)
	L1	H	L1	H	
BHI/BHS 2-10	403	255	403	233	9,5
BHI/BHS 2-20	403	255	403	233	9,5
BHI/BHS 2-30	403	255	403	233	9,8
BHI/BHS 2-40	403	255	403	233	10,3
BHI/BHS 2-50	441	255	441	233	11,7
BHI/BHS 2-60	441	255	441	233	12,0
BHI/BHS 4-10	403	255	403	233	9,5
BHI/BHS 4-20	403	255	403	233	9,5
BHI/BHS 4-30	403	255	403	233	10,1
BHI/BHS 4-40	441	255	441	233	11,5
BHI/BHS 4-50	441	255	441	233	12,8