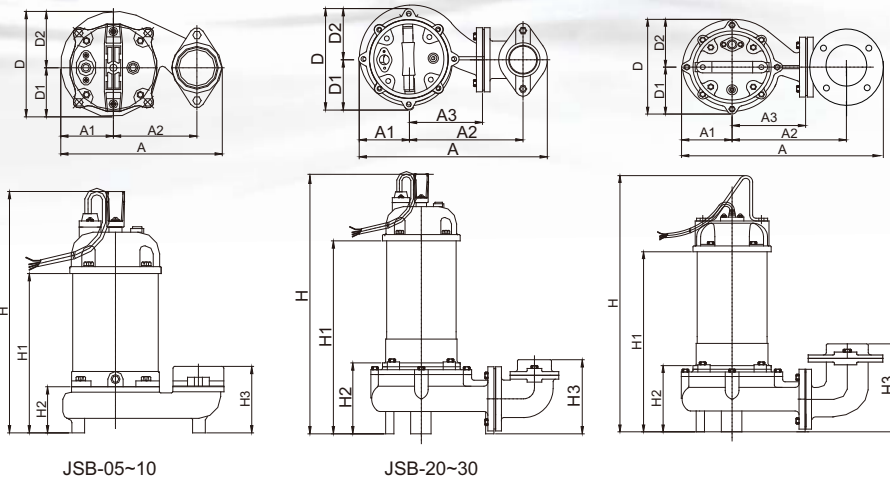


## JSB-Series Dimensions



JSB-05-10

JSB-20-30

Dimensions (mm)

Type	A	A1	A2	A3	D	D1	D2	H	H1	H2	H3
JSB-05	228	75	120	NA	150	70	80	425	297	117	138
JSB-10	228	75	120	NA	150	70	80	455	327	117	138
JSB-20	390	103	235	154	208	104	104	532	400	150	150
JSB-30	390	103	235	154	208	104	104	552	420	150	150
JSB-50	466	100	274	177	210	95	115	633	468	160	225
JSB-75	466	100	274	177	210	95	115	673	508	160	225

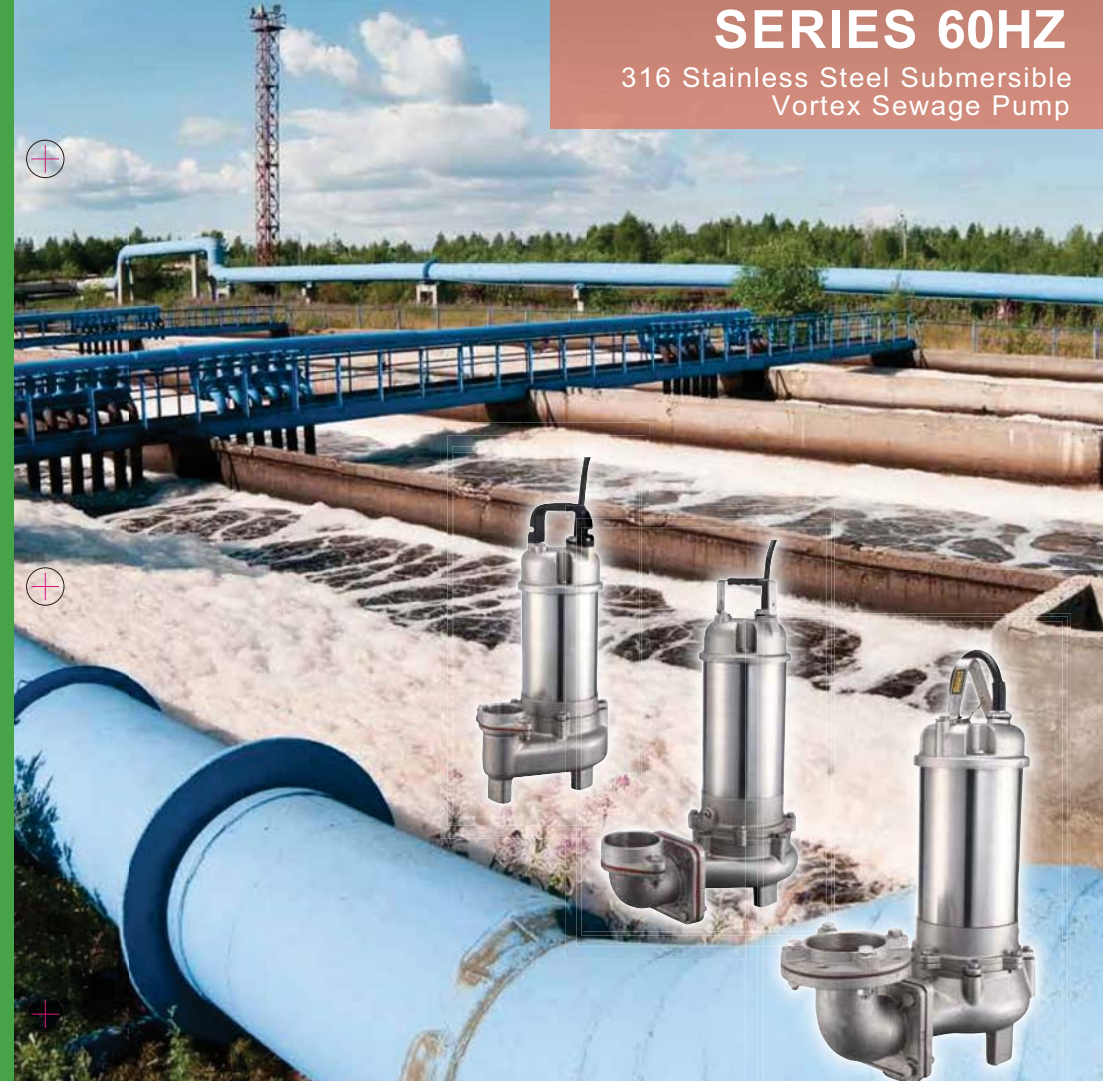
» Note1 : Automatic models are available in single-phase versions(0.5~2HP).

» Note2 : Q.D.C. (Quick Discharge Connection) is available for all models.



# JSB SERIES 60HZ

316 Stainless Steel Submersible  
Vortex Sewage Pump



# JSB SERIES 60HZ

316 Stainless Steel Submersible Vortex Sewage Pump

## Feature

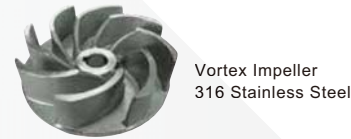
- / Vortex Impeller / Non-clogging
- / Minimized abrasive wear
- / Large impeller clearance
- / Maintenance free
- / Double Mech. Seal in Si. Ca
- / Loss wax 316 Stainless Steel

## Application

- / Medium concentration wastewater
- / Heavy duty

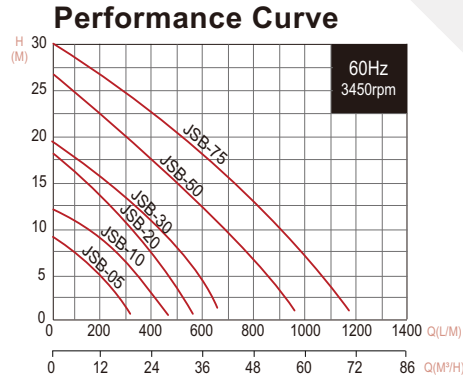
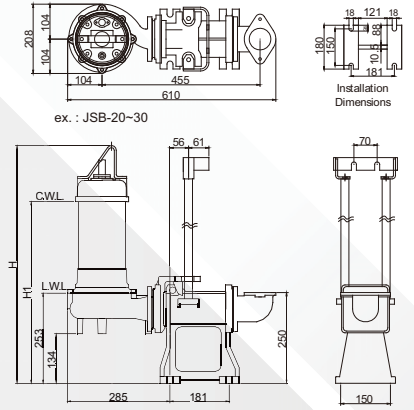
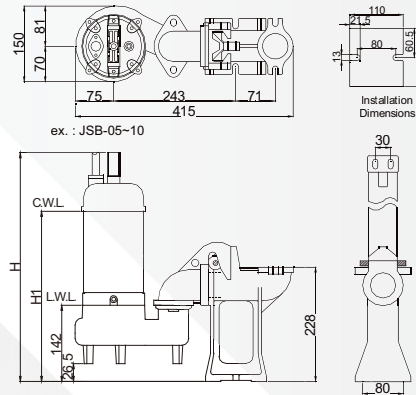
## Specifications

Liquid Temperature		0~40°C (32~104°F)
Submersible depth		10M
Motor Part	Frequency	60Hz
	Pole	2 Pole
	Type	Dry Type
	Insulation	Class B
Pump Part	Protection	IP 68
	Protector	Auto-cut
	Bearing	Ball Type
	Mechanical seal	Dual. Mechanical Seal
Impeller		Semi-Open



Mech. Seal (EKK)	Bearing (NTN)	SQS(0.5HP~1HP)	SQM(2HP~7.5HP)
		SUS 304 / SUS 316	SUS 304 / SUS 316

## JSB-Series with SQS / SQM



### JSB with SQS

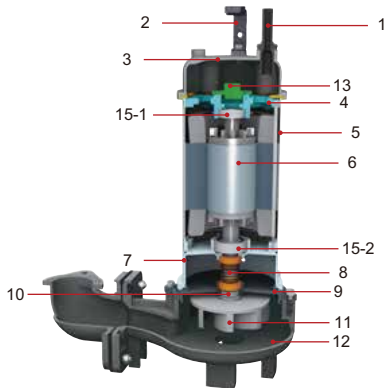
Output		Discharge		Dimensions(mm)	
HP	kw	inch	mm	H	H1
0.5	0.37	2"	50	445	322
1	0.75	2"	50	475	352

### JSB with SQM

Output		Discharge		Dimensions(mm)	
HP	kw	inch	mm	H	H1
2	1.5	2"(3")	50(80)	660	534
3	2.2	2"(3")	50(80)	690	554
5	3.7	3"(4")	80(100)	769	604
7.5	5.5	3"(4")	80(100)	809	644

## Parts and Material List

No	Part	Material
1	Cable	H07RN-F/SJTW/STOW
2	Handle	Nylon 6(0.5-1HP) ; SUS 316 (2-7.5HP)
3	Motor Cover	SUS 316
4	Bracket	FC 20
5	Motor Housing	SUS 316
6	Shaft with Rotor	SUS 316
7	Oil Chamber	FC 20(0.5-1HP) ; SUS 316(2-7.5HP)
8	Double Mech.Seal	Upper : CA / CE Lower : SIC / SIC
9	Seal Housing	SUS 316
10	Oil Seal	Viton
11	Impeller	SUS 316
12	Pump Casing	SUS 316
13	Protector	
15-1	Upper Bearing	NTN
15-2	Lower Bearing	NTN



## Data Chart

Type	Output		Discharge	F.L.A.		Rated	Maximum		Cable	Free Passage	Weight	Q.D.C.	
	HP	KW	Inch	1ø 230V	3ø 460V	Head m	Cap. LPM	Head m	Cap. LPM	M	mm	kg	
JSB-05	0.5	0.37	2"	3.8	1.3	6	180	9.1	334	5	35	13.2	SQS-50
JSB-10	1	0.75	2"	5.4	2	9	225	12	480	5	35	18	SQS-50
JSB-20	2	1.5	2"(3")	10.1	4	11	300	18	590	5	45	34.7	SQM-80
JSB-30	3	2.2	2"(3")	-	5.1	12	320	19.5	680	5	45	35.8	SQM-80
JSB-50	5	3.7	3"(4")	-	7.8	17	400	27	990	10	45	56	SQM-100
JSB-75	7.5	5.5	3"(4")	-	10.3	19.5	550	30	1200	10	45	62	SQM-100

- » JSB-05~10 : Flange Type
- » JSB-20~30 : Elbow Type
- » JSB-50~75 : Elbow Type